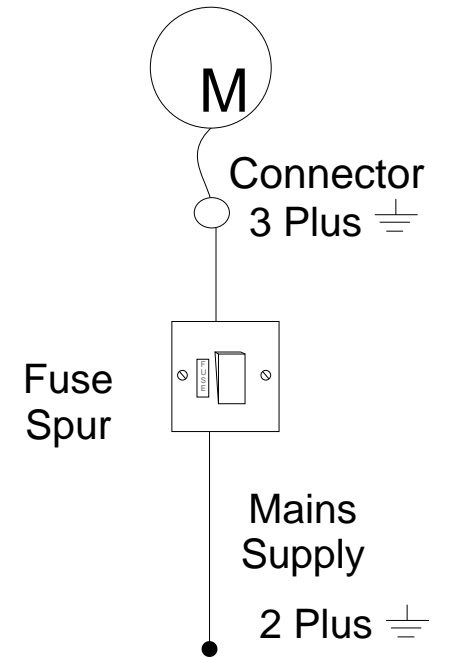
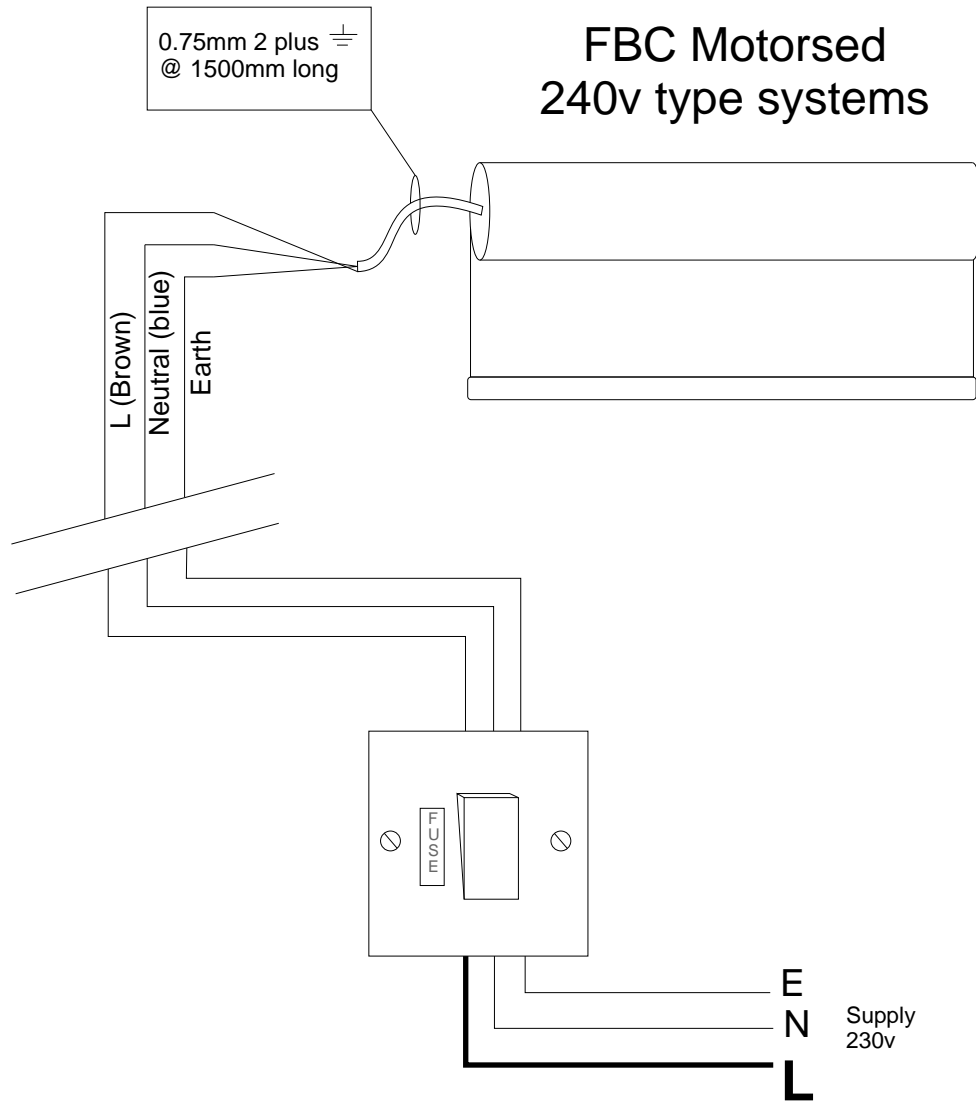


Multiple Motors should not be parallel wired



Motor Type

1

1 x RTS Motor operating

Drawing Number

D111